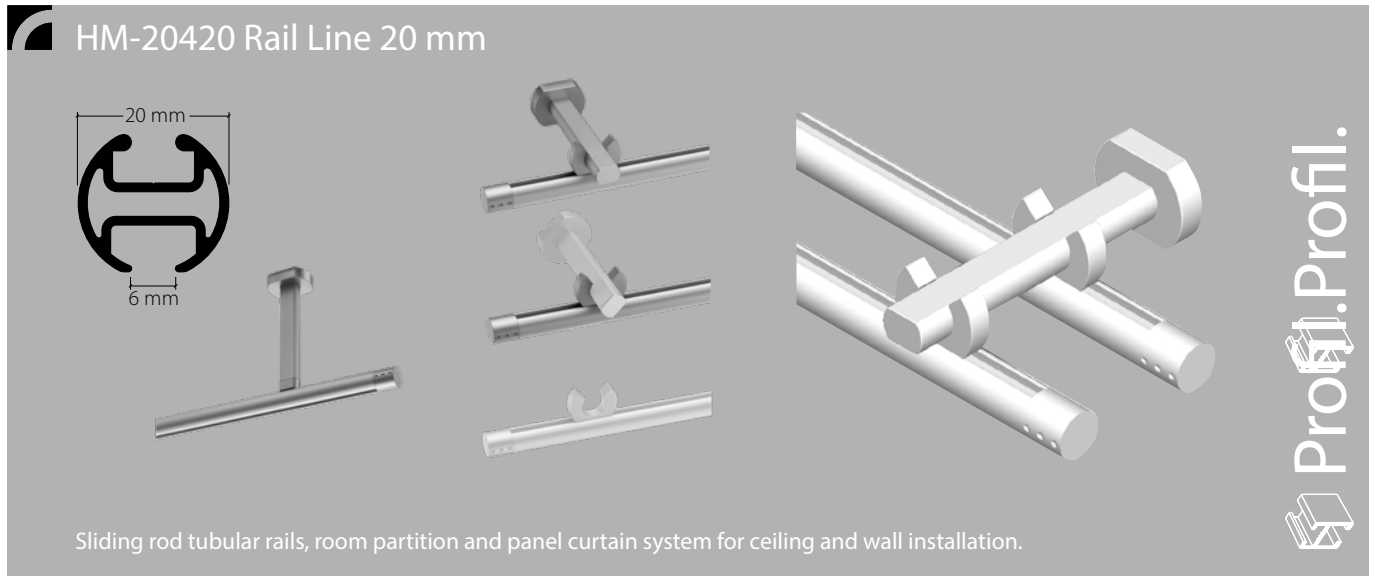

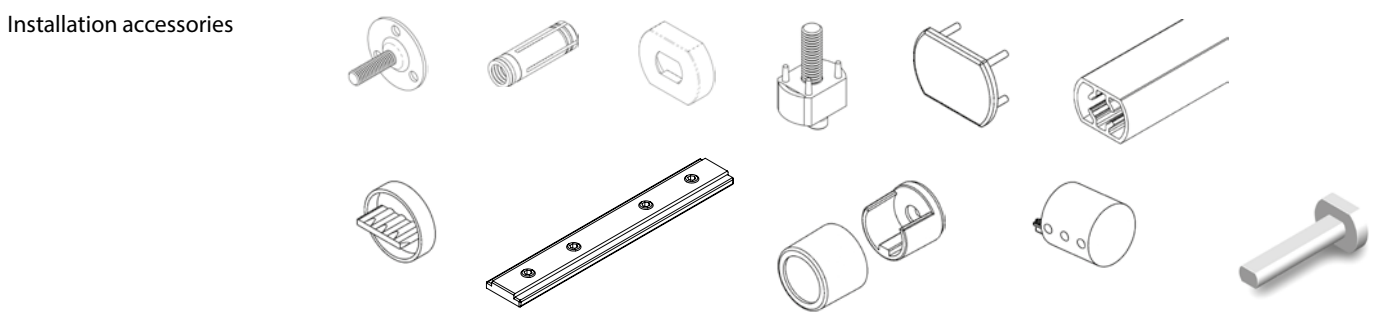


Multiplex tubular rail system 20 mm, Rail Line with "maxi"/"sixo" channel





Aluminium, natural anodised
Aluminium, white, RAL 9016
Stock lengths of 6 m



Services Curved designs, made-to-measure including opening/insert

Bending service **Plan view** (seen from above). State room side.

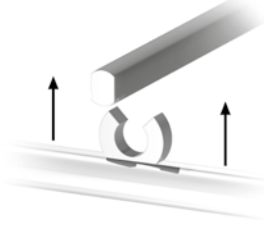

Radius: 150 mm
90° angle or angle of your choice

Installation

Step 1
Insert bracket connector
and rotate around 90 degrees



Step 2
Push tube with connector
onto the profile



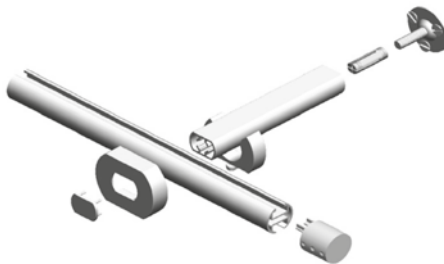
Step 3
Rotate bracket profile around 90
degrees



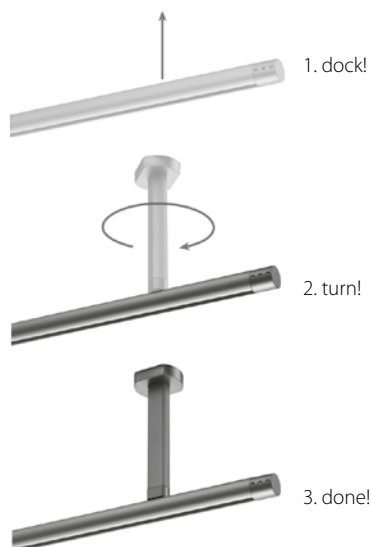
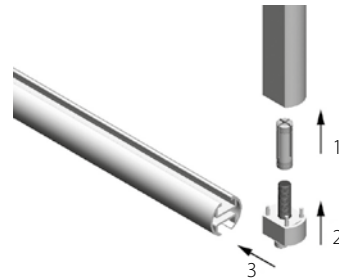
Wall installation with Rail-Line bracket

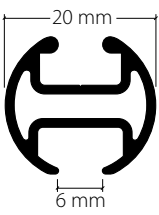



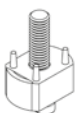




Wall fixing



Ceiling fixing



	Article description	Order no.
	20 mm Multiplex tubular rail with "maxi"/"sixo" inner channel	
	Aluminium, natural anodised	20420.10
	Aluminium, white, RAL 9016	20420.20
	Stock lengths of 6 m	Made-to-measure + 20%
	Rail Line tube side cap, plastic	
	Plastic, grey	21418.14
	Plastic, white	21418.20
	Tube end piece, plastic	
	Plastic, aluminium coloured	21417.10
	Plastic, white	21417.20
	Tubular profile holder for ceiling bracket	
	Plastic, aluminium coloured	21416.10
	Plastic, white	21416.20

	Article description	Order no.
	3-hole installation plate for wall-ceiling bracket, metal	21411
	Brass dowel for bracket profile	21412
	Bracket cover for wall-ceiling bracket	
	Plastic, aluminium coloured	21413.10
	Plastic, white	21413.20
	Bracket profile, can be shortened	
	Aluminium, natural anodised	21410.12
	Aluminium, white, RAL 9016, white	21410.20
	Bracket-tube connector	
	Plastic, aluminium coloured	21415.10
	Plastic, white	21415.20
		
	Side cap for wall bracket	
	Plastic, aluminium coloured	21414.10
	Plastic, white	21414.20

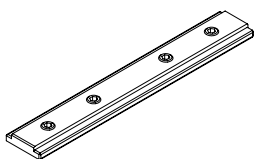
	Article description	Order no.
--	---------------------	-----------



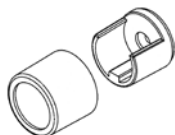
Rail-Line wall bracket, aluminium, undrilled
including bracket cap, wall cover, installation plate,
brass sleeve, fully assembled

Projection up to

Matt aluminium	7 cm	21431.12
	10 cm	21432.12
	15 cm	21434.12
Aluminium, white	7 cm	21431.20
	10 cm	21432.20
	15 cm	21434.20



Tube connector, white plastic 21956.20



Wall bearing

Plastic, aluminium coloured	21419.10
Plastic, white	21419.20



«sixo»

«sixo» cross-bracket glider HC3 25503
for profile channel width 5.8-6.2 mm



«sixo»

«sixo» longitudinal bracket glider HC4 25504
for profile channel width 5.8-6.2 mm

Bending service

Plan view (seen from above). State room side.



Radius: 150 mm

95.20420.1