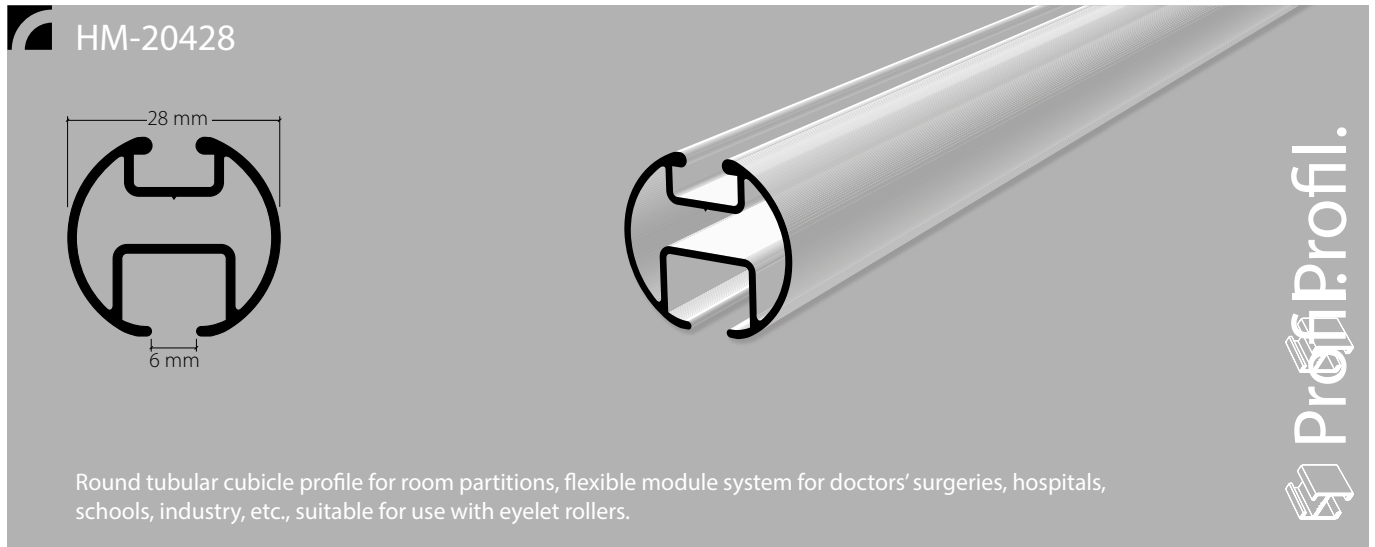


Partition profile 28 mm with "maxi"/"sixo" channel

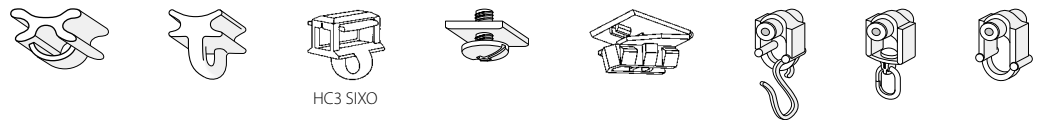


Aluminium, natural anodised

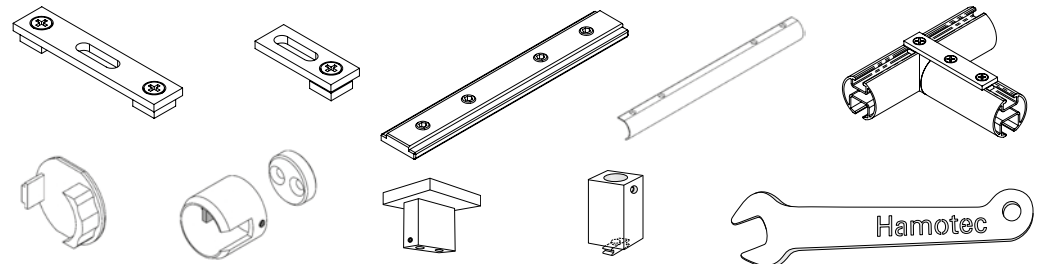
Aluminium, white, RAL 9016

Stock lengths of 6 m

"maxi"/"sixo" accessories



Installation accessories



Services

Made-to-measure including opening/insert

Bending service

View is always from above with the channel below.



Radius: From 200 mm
90° angle or angle of your choice



Non-standard radii and angles as per sketch

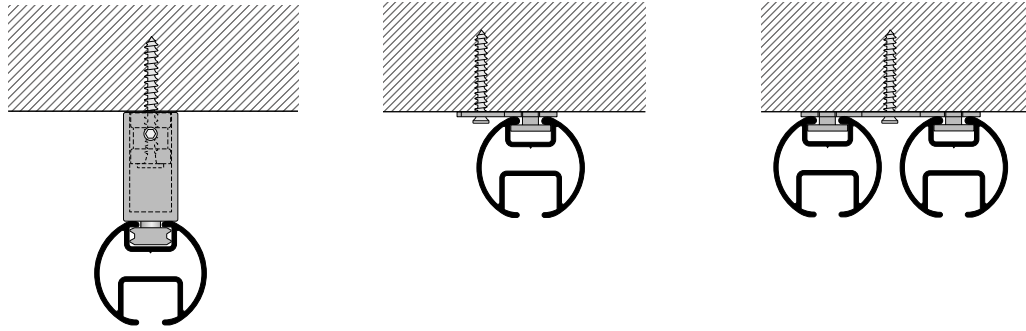
Installation instructions, see next page

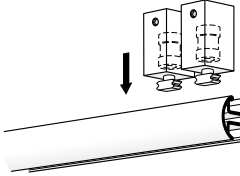
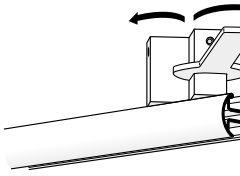
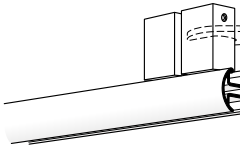


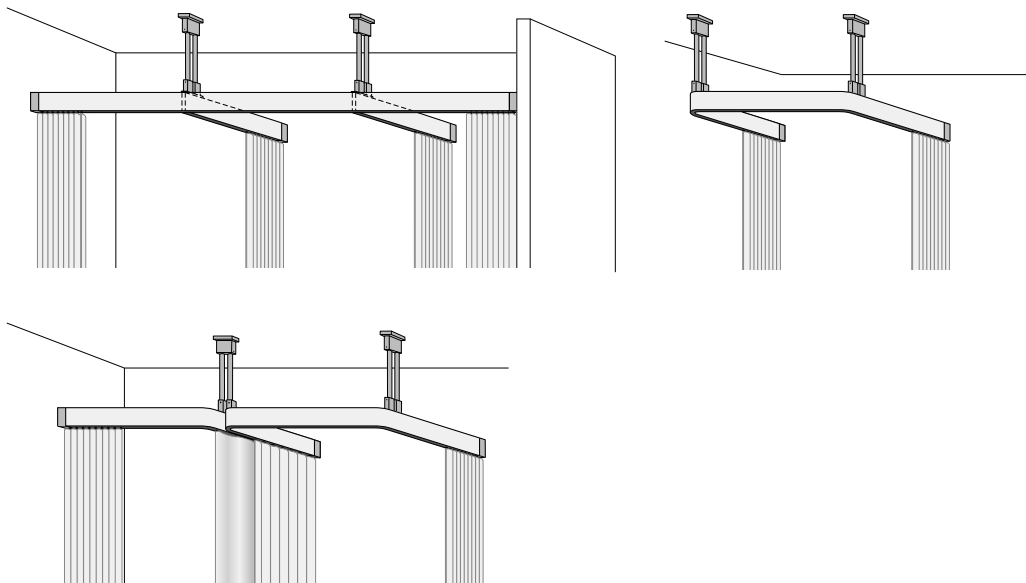
Opening / glider entry is only possible with "midi" punch head.

Installation

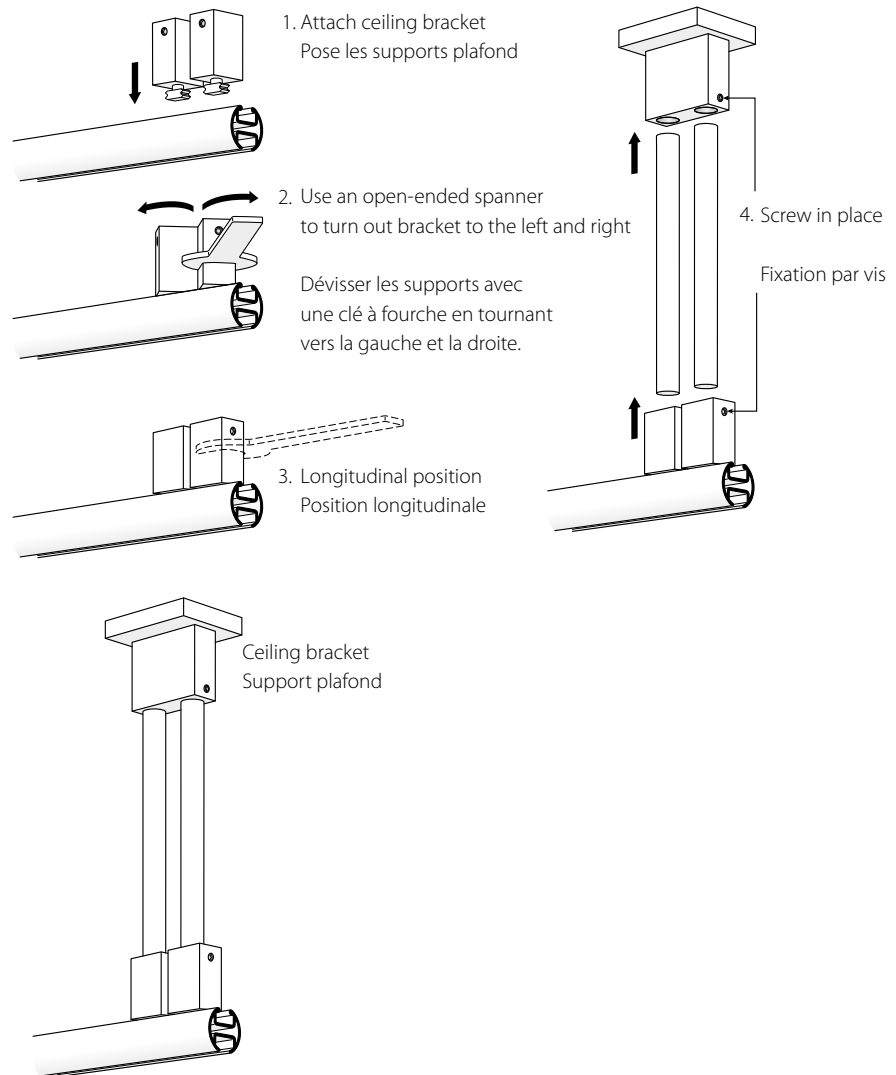
Ceiling installation



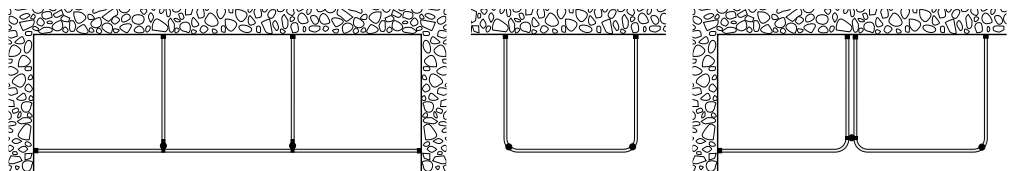
- 
1. Attach ceiling bracket
Poser les supports plafond
- 
2. Use an open-ended spanner to turn
Dévisser les supports avec une clé à fourche en tournant vers la gauche et la droite.
- 
3. Longitudinal position
Position longitudinale

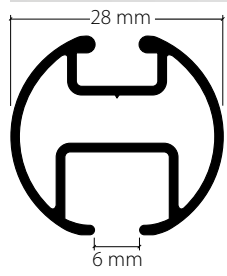


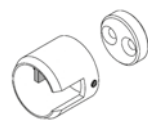
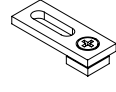
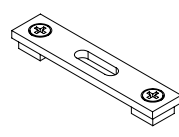


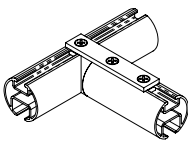
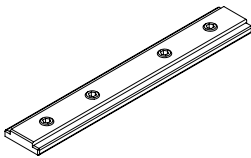

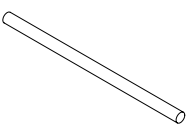

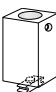
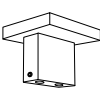
Installation

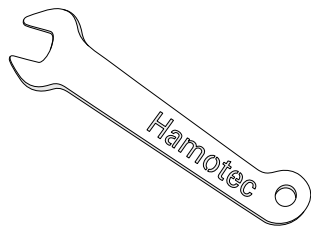
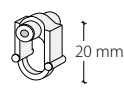
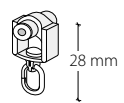
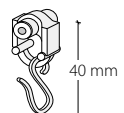




Plan view (seen from above). State room side.



	Article description	Order no.
	Tubular rail system 28 mm, with "maxi"/"sixo" channel	
	Aluminium, natural anodised	20428.10
	Aluminium, white, RAL 9016	20428.20
	Stock lengths of 6 m	Made-to-measure + 20%
	Side cap	
	Plastic, grey	21441.10
	Plastic, white	21441.20
	Wall bearing	
	Aluminium, natural anodised	21442.10
	Aluminium, white, RAL 9016	21442.20
	Ceiling bracket Suitable for use with systems HM-20428, HM-20450	
	galvanised	21493.06
	white	21493.20
	2-channel ceiling bracket suitable for use with systems HM-20428, HM-20450	
	galvanised	21494.06
	white	21494.20

	Article description	Order no.
	Cross-T-profile connector KV428 galvanised metal white metal	 21447 21447.20
	Tube connector, white plastic	21956.20
	Tube connecting bridge, aluminium V428 with screws anodised aluminium white aluminium	 21446.12 21446.20
	Support tube 10 mm aluminium suitable for use with systems HM-20428, HM-20450 anodised aluminium white aluminium	 21470.12 21470.20
	Stock lengths of 3 m	Made-to-measure + 20%
	Ceiling bracket 30 mm "Mini" / bottom part, including sleeve Suitable for use with system HM-20428 Aluminium, silver-coloured Aluminium, white, RAL 9016	 21464.12 21464.20
	Ceiling module 40 x 50 x 40 Suitable for use with systems HM-20428, HM-20450 silver Aluminium, white, RAL 9016	 21462.12 21462.20

	Article description	Order no.
	Open-ended spanner for tightening and loosening ceiling brackets 21460/64 for systems HM-20428, HM-20450 Aluminium, white, RAL 9016	19896
	Eyelet roller with shaft	25287
	Eyelet roller with rotatable eyelet	25288
	Eyelet roller with hook	25289
	“sixo” cross-bracket glider HC3 for profile channel width 5.8-6.2 mm	25503
	“sixo” longitudinal bracket glider HC4 for profile channel width 5.8-6.2 mm	25504

Bending service
Plan view (seen from above). State room side.

Radii: from 200 to 300 mm

95.20428.1
Radii: up to 500 mm

95.20428.2
Radii: up to 1000 mm

95.20428.3

90° angle or angle of your choice


Non-standard radii and angles as per sketch
95.20428.4